

# INDAUX Stumdomos, sulankstomos durų sistemos

APRAŠYMAS	KODAS
Viršutinis bėgelis, 2m.	710.920.103
Apatinis bėgelis, 2m.	711.500.101
Viršutinis ratukas + 2 lankstai + laikiklis	344.020.025
Apatinis ratukas + lankstas	343.706.064
Plastmasinis lankstas	344.110.314

**FOLDING DOOR SYSTEM**

A Top single supporting track	
	2 meter bars    6 meter bars
Silver-anodized	710.920.103    710.960.106
Natural	710.920.501    710.960.504

B Top roller: 1 hinge	
Black RAL 9005	344.010.026

C Top roller: 2 hinges	
Black RAL 9005	344.020.025

D Bottom guide	
Black RAL 9005	343.706.064

E Bottom single guide track	
	2 meter bars
Silver-anodized	711.500.101
Natural	711.500.506

F Zamak flap hinge	
Nickel-plated	344.100.061

G Plastic flap hinge	
Black RAL 9005	344.110.023

H Mesuco 14 hinge –030.040.124– with mounting plate –082.203.122– and screw –988.715.066–.	
Nickel-plated	344.120.066

Bag of accessories		
	20 kp.	40 kp.
	702.800.103	702.900.100

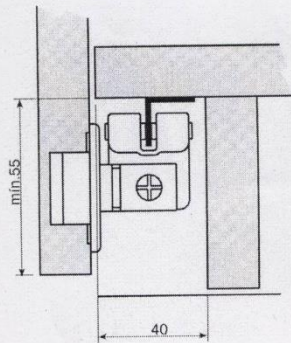
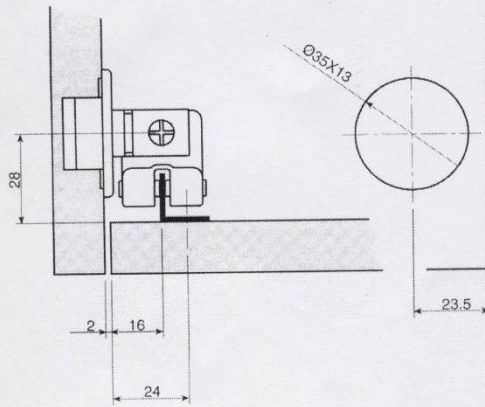
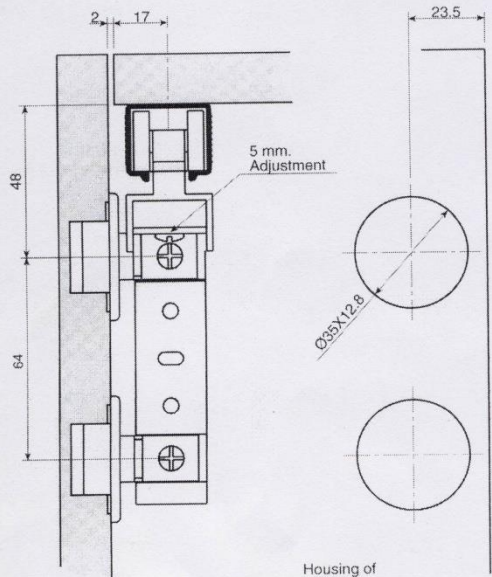
No. of pieces per bag		
	20 kp.	40 kp.
B	1 piece	1 piece
C	1 piece	1 piece
D	1 piece	1 piece
G	3 pieces	3 pieces

Pivoting door  
Sliding door



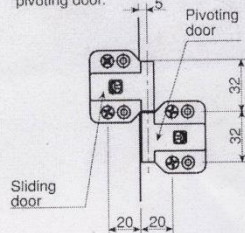
# SLIDING FOLDING DOOR SYSTEM

## ASSEMBLING LAYOUT



### Inner view of the Wardrobe

The screw-fixed hinges of the sliding door are placed over the hinges of the pivoting door.



**1 Place shafts**

Upper hinge: Insert the shortest side of the shaft in the upper hinge.

Lower hinge: Insert the longest side of the shaft in the lower hinge.

**2 Place sliding door**

Upper hinge: Only the upper hinge must be inserted in the shaft.

Lower hinge:

**3 Assemble the door**

Upper hinge: Guiding yourself by the upper hinge shaft, lift the door until lower hinges align with their shafts.

Lower hinges: When the door falls it automatically fits.

1mm. 2mm.

For possible adjustments, please use included washers.