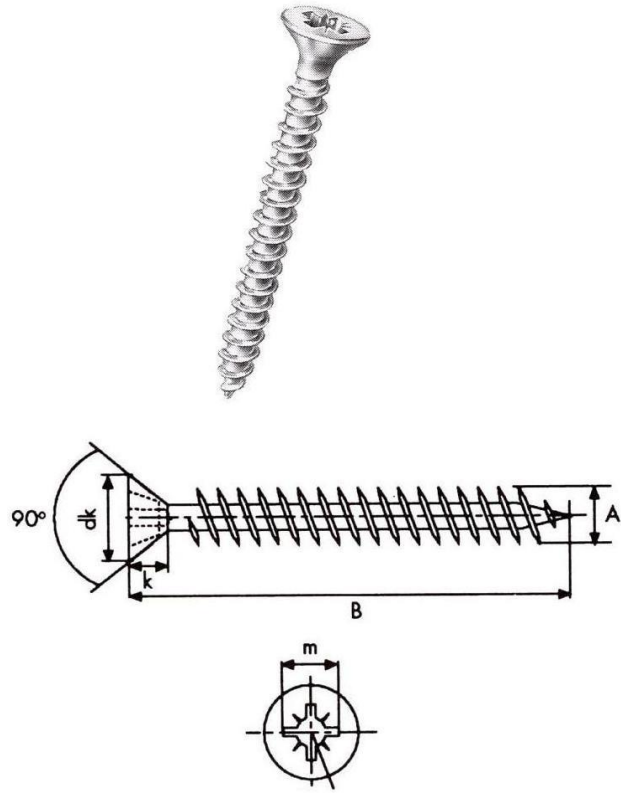

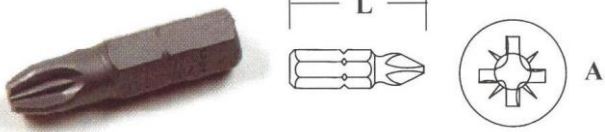




Kodas	Dydis	Komplektas	Tipas
1130 3.0x16	3.0x16	1000 VNT	
1130 3.5x15	3.5x15	1000 VNT	
1130 3.5x16	3.5x16	1000 VNT	
1130 3.5x20	3.5x20	1000 VNT	
1130 3.5x25	3.5x25	1000 VNT	
1130 3.5x30	3.5x30	1000 VNT	
1130 3.5x35	3.5x35	1000 VNT	
1130 3.5x40	3.5x40	1000 VNT	
1130 3.5x45	3.5x45	1000 VNT	
1130 4.0x16	4.0x16	1000 VNT	
1130 4.0x20	4.0x20	1000 VNT	
1130 4.0x25	4.0x25	1000 VNT	
1130 4.0x30	4.0x30	1000 VNT	
1130 4.0x35	4.0x35	1000 VNT	
1130 4.0x40	4.0x40	1000 VNT	
1130 4.0x45	4.0x45	1000 VNT	
1130 4.0x50	4.0x50	1000 VNT	
1130 4.0x60	4.0x60	1000 VNT	
1130 4.0x70	4.0x70	1000 VNT	
1130 4.5x30	4.5x30	1000 VNT	
1130 4.5x45	4.5x45	1000 VNT	
1130 5.0x20	5.0x20	1000 VNT	
1130 5.0x30	5.0x30	1000 VNT	
1130 5.0x40	5.0x40	1000 VNT	
1130 5.0x50	5.0x50	1000 VNT	
1130 5.0x60	5.0x60	1000 VNT	
1130 5.0x70	5.0x70	1000 VNT	
1130 6.0x50	6.0x50	1000 VNT	
1130 6.0x60	6.0x60	1000 VNT	



**Medsraigtis**

 <p><b>Magnetinis laikiklis</b></p>	<table border="1"> <thead> <tr> <th>Kodas</th> <th>L</th> </tr> </thead> <tbody> <tr> <td>ML60</td> <td>60</td> </tr> </tbody> </table>	Kodas	L	ML60	60								
Kodas	L												
ML60	60												
 <p><b>Atsuktuvo antgalis</b></p>	<table border="1"> <thead> <tr> <th>Kodas</th> <th>L</th> </tr> </thead> <tbody> <tr> <td>7950/000/1PZ1</td> <td>35.5</td> </tr> <tr> <td>7950/000/2PZ2</td> <td>35.5</td> </tr> <tr> <td>7934/000/4HEX</td> <td>35.5</td> </tr> </tbody> </table>	Kodas	L	7950/000/1PZ1	35.5	7950/000/2PZ2	35.5	7934/000/4HEX	35.5				
Kodas	L												
7950/000/1PZ1	35.5												
7950/000/2PZ2	35.5												
7934/000/4HEX	35.5												
 <p><b>Nailoninis kaištis</b></p>	<table border="1"> <thead> <tr> <th>Kodas</th> <th>Dydis</th> <th>Komplektas</th> </tr> </thead> <tbody> <tr> <td>7108/000/6</td> <td>6x30</td> <td>100 VNT</td> </tr> <tr> <td>7108/000/8</td> <td>8x40</td> <td>100 VNT</td> </tr> <tr> <td>7152/000/8/50.0</td> <td>8x50</td> <td>100 VNT</td> </tr> </tbody> </table>	Kodas	Dydis	Komplektas	7108/000/6	6x30	100 VNT	7108/000/8	8x40	100 VNT	7152/000/8/50.0	8x50	100 VNT
Kodas	Dydis	Komplektas											
7108/000/6	6x30	100 VNT											
7108/000/8	8x40	100 VNT											
7152/000/8/50.0	8x50	100 VNT											
 <p><b>Kalamas kaištis GKP plokšt, gelt,cinkas</b></p>	<table border="1"> <thead> <tr> <th>Kodas</th> </tr> </thead> <tbody> <tr> <td>GKP</td> </tr> </tbody> </table>	Kodas	GKP										
Kodas													
GKP													